



we are  
preci-dip



preci

# SAFE SOLUTIONS FOR THE MEDICAL INDUSTRY



TURNKEY AND RELIABLE

swiss world connects

# FROM SPRING-LOADED TECHNOLOGY TO BOARD-TO-BOARD, FROM HAND-HELD DEVICES TO DIGITAL RADIOGRAPH OR SCANNING X-RAYS, PRECI-DIP PERFORMS

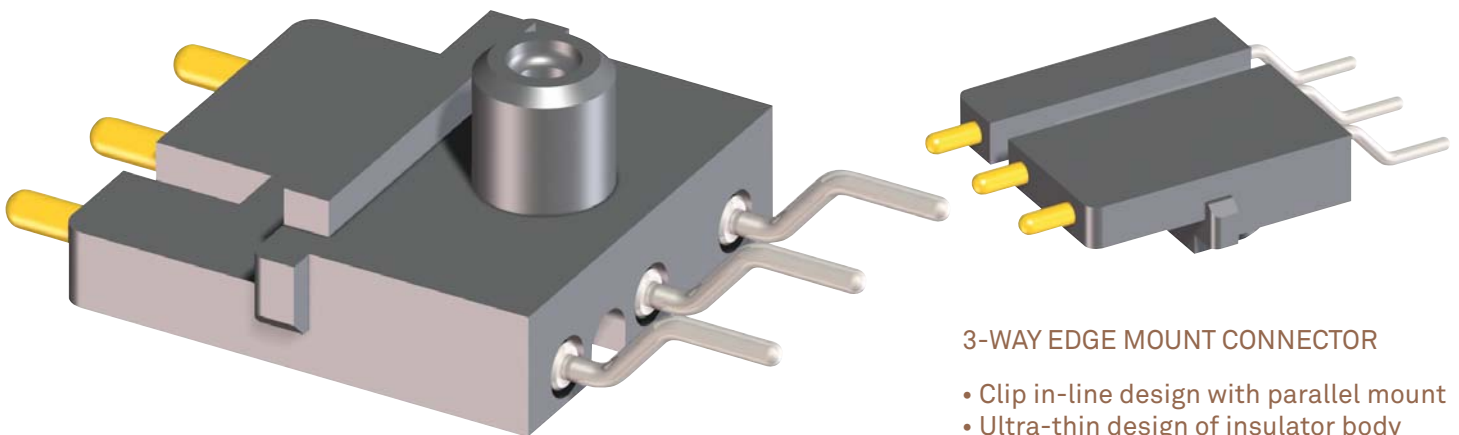
## REGARDING HUMANS

Trust-worthiness defines the entire market for medical appliances. The complexity of the device dictates the level of detail required. Preci-dip has for many years been dedicated to meet the industry's ongoing challenges.

Partnering with the major manufacturers, our engineers have designed and created those components that meet all the stringent requirements with regard to signal reliability and performance guarantees.

Furthermore, we at preci-dip are proud to have been the first company to introduce beryllium-free technology and to address the challenges of shock vibration and miniaturization – in full compliance with the right choice of material, notably low magnetic parts.

- BERYLLIUM-FREE
- SIGNAL RELIABILITY
- MINIATURIZATION TECHNOLOGY



3-WAY EDGE MOUNT CONNECTOR

- Clip in-line design with parallel mount
- Ultra-thin design of insulator body

preci-med.com

welcome@preci-med.com