

CLIP CODE 1810

6-FINGER

MATING PIN DIAMETER RANGE

0.92-1.06 mm

COMPLIANCY Δ

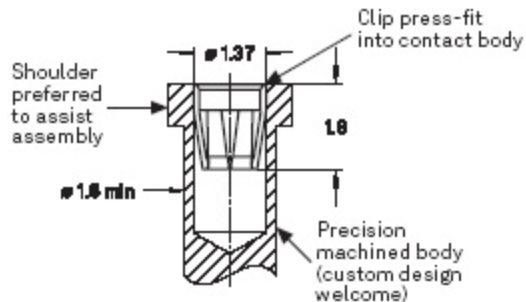
0.14 mm

MIN. MATING PIN LENGTH

2.2 mm

CURRENT RATING

8A



Force [N]

3.00

2.50

2.00

1.50

1.00

0.50

0.00

— Initial insertion force
— Insertion force 2nd cycle
■ Withdrawal force

0.92

0.94

0.96

0.98

1.00

1.02

1.04

1.06

Mating pin diameter [mm]

