

# CLIP CODE 4910

## 6-FINGER

MATING PIN DIAMETER RANGE

1.4-1.65 mm

COMPLIANCY  $\Delta$

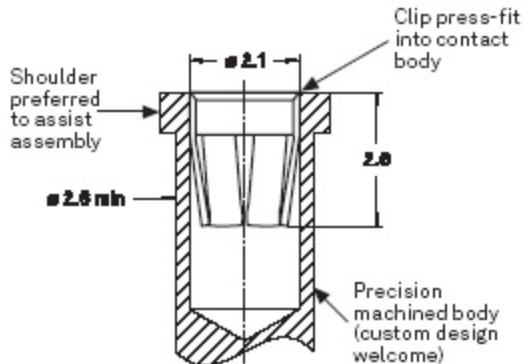
0.25 mm

MIN. MATING PIN LENGTH

3.4 mm

CURRENT RATING

11 A



Force [N]

