

CLIP CODE 0610

4-FINGER

MATING PIN DIAMETER RANGE

0.56-0.84 mm

COMPLIANCY Δ

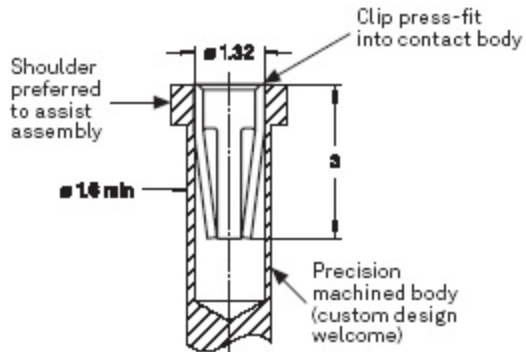
0.28 mm

MIN. MATING PIN LENGTH

3.5 mm

CURRENT RATING

5 A



Force [N]

