

CLIP CODE 1210

4-FINGER

MATING PIN DIAMETER RANGE

0.32-0.52 mm

COMPLIANCY Δ

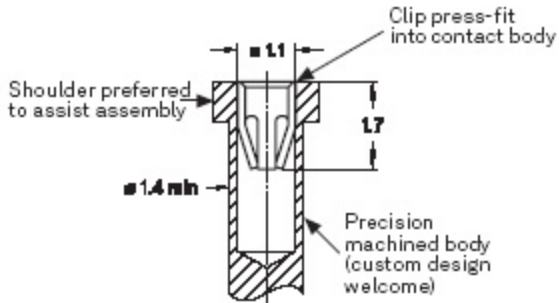
0.14 mm

MIN. MATING PIN LENGTH

2 mm

CURRENT RATING

3 A



Force [N]

