

CLIP CODE 1410

6-FINGER

MATING PIN DIAMETER RANGE

0.66-0.84 mm

COMPLIANCY Δ

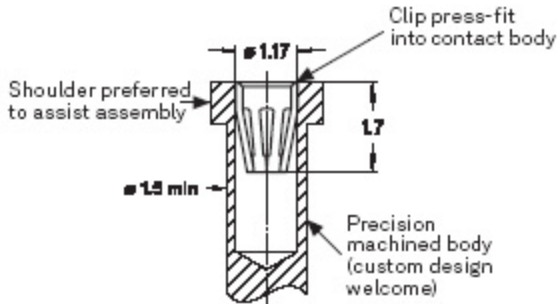
0.16 mm

MIN. MATING PIN LENGTH

2.2 mm

CURRENT RATING

4.5 A



Force [N]

4.00

3.50

3.00

2.50

2.00

1.50

1.00

0.50

0.00

— Initial insertion force
— Insertion force 2nd cycle
■ Withdrawal force

0.66

0.68

0.70

0.72

0.74

0.76

0.78

0.80

0.82

0.84

Mating pin diameter [mm]

