

# CLIP CODE 1610

6-FINGER

MATING PIN DIAMETER RANGE

0.56-0.84 mm

COMPLIANCY  $\Delta$

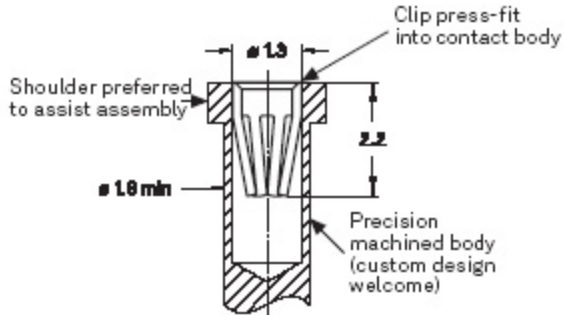
0.2 mm

MIN. MATING PIN LENGTH

2.7 mm

CURRENT RATING

5 A



Force [N]

