

CLIP CODE 5210

6-FINGER

MATING PIN DIAMETER RANGE

0.7-0.8 mm

COMPLIANCY Δ

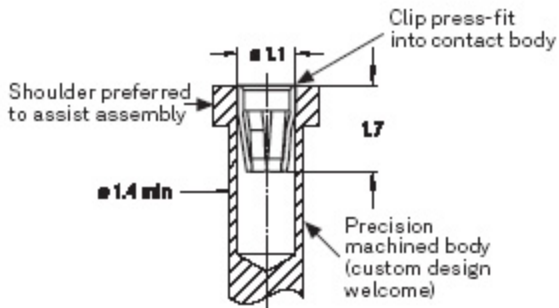
0.1 mm

MIN. MATING PIN LENGTH

2.2 mm

CURRENT RATING

4.5 A



Force [N]

