

NOTES:

Material:

Shell : Standard Brass
 Clip : Beryllium Copper

Finish:

83 : Clip 0,75µm (30µ) Gold over Ni, Shell 5µm (200µ) Tin over Ni
 93 : Clip 0,75µm (30µ) Gold over Ni, Shell 5µm (200µ) Tin over Ni
 For other plating configuration please consult.

Electrical:

Clip code 1610
 Rated current 3,0 Amps
 Contact resistance max. 15 milliohms

Mating Pin Size:

0,56mm-0,84mm [.022'-.033']

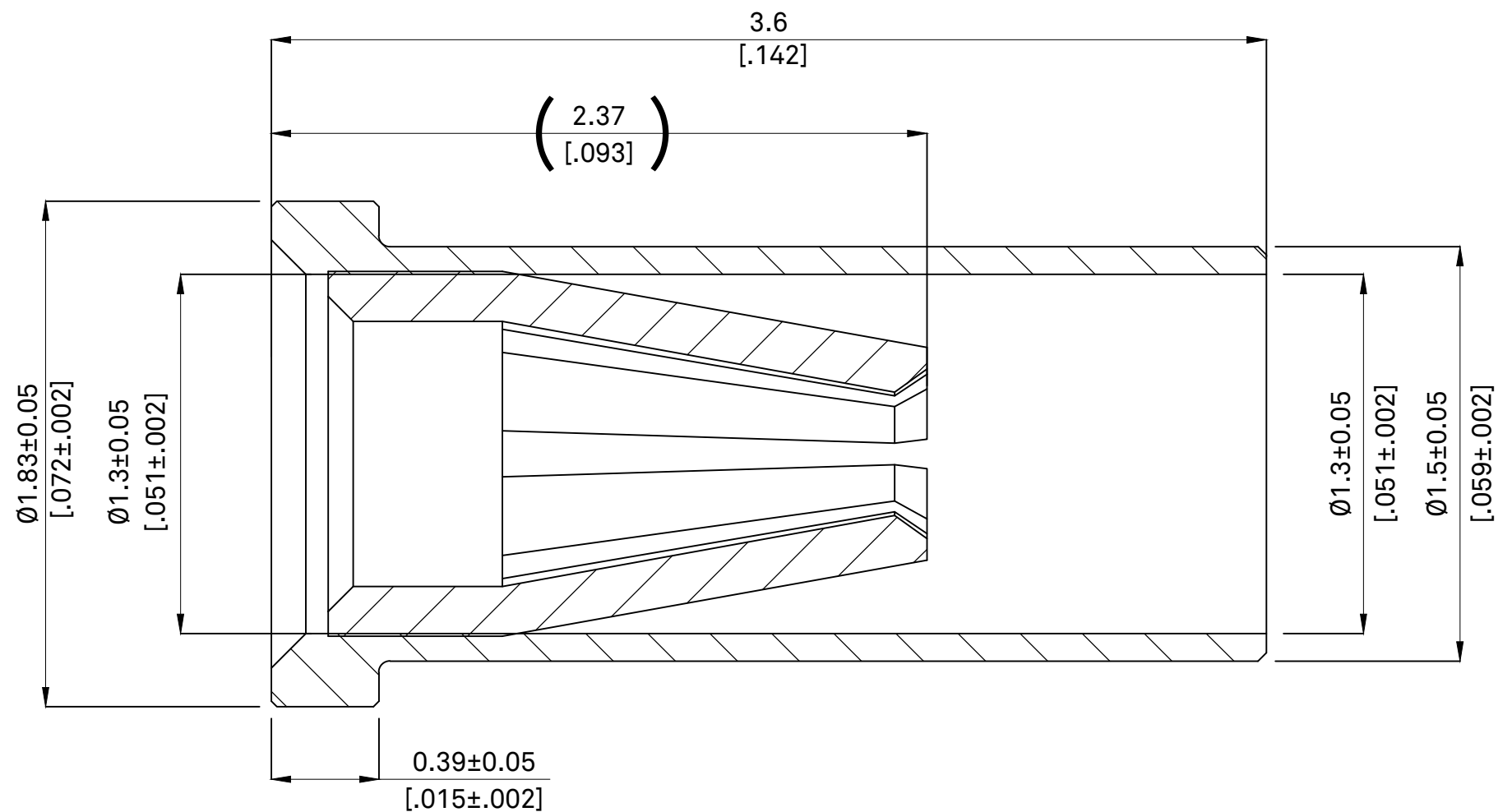
Environmental:

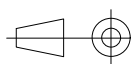

Temperature range : -55°C to +125°C

Mechanical:

Recomanded PCB Mouting hole 1,57 mm [.062']
 Mechanical life min. 500 cycles

For complete mechanical and electrical specification, see CLIP
 Specification regarding Clip Code Number.



<h2>Socket Contact</h2>	 1:1	Remplace:		
		Remplace par:		
 swiss world connects	N° dessin		Revision	
	03102-XX-1610			